

► **Real Plug and Play** ►►

**EASYLAB – The complete solution  
for fume cupboards**



## ► EASYLAB – The system ►►



### **Safety, energy efficiency and comfort**

The TROX EASYLAB air management system for laboratories brings these factors together in a unique way. This fume cupboard solution combines a high-performance volume flow controller with an automatic sash controller in a simple yet efficient manner. Automatic control of the sash and of the volume flow reduces energy requirements whilst the control panels allow for intuitive navigation, providing optimum control with maximum comfort.

### **Easy installation using plug and play**

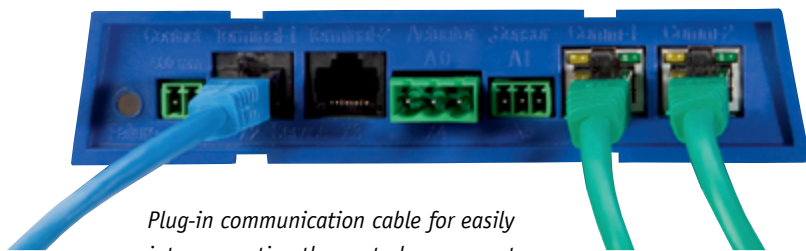
EASYLAB system - the name says it all. All components are supplied ready to operate and are automatically recognised by the preconfigured system. Integration into existing LON, Modbus or BACnet networks is also easy. Additionally the system can be adapted to individual customer requirements at any time via the EasyConnect software. This is the way to save time and costs.

### **Modular system**

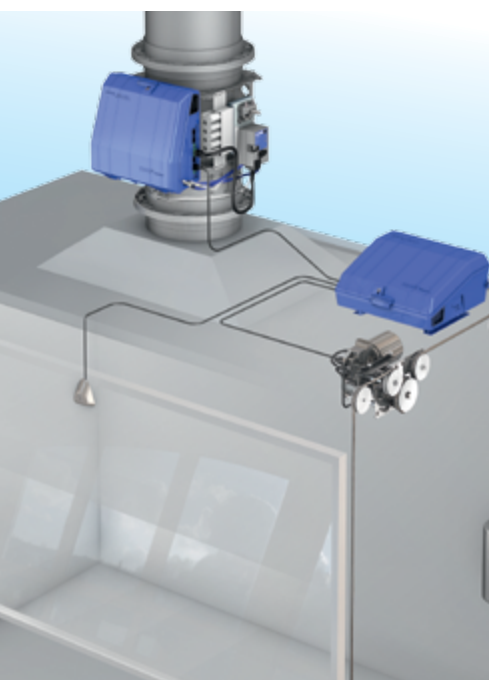
Thanks to the modular design, the controller can be perfectly adapted to the needs of customers. A whole range of options is available, so a LON, BACnet or Modbus interface for connection to a BMS, that the EASYLAB system can meet individual requirements. TROX EASYLAB makes it easy to save time and costs.



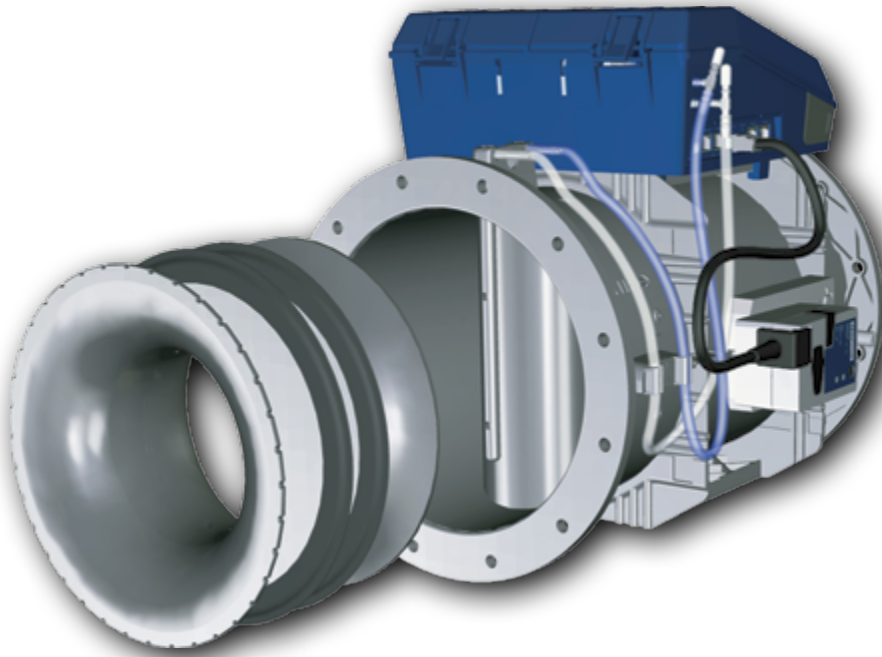
*TROX EasyConnect software  
for easy commissioning*



*Plug-in communication cable for easily  
interconnecting the control components*



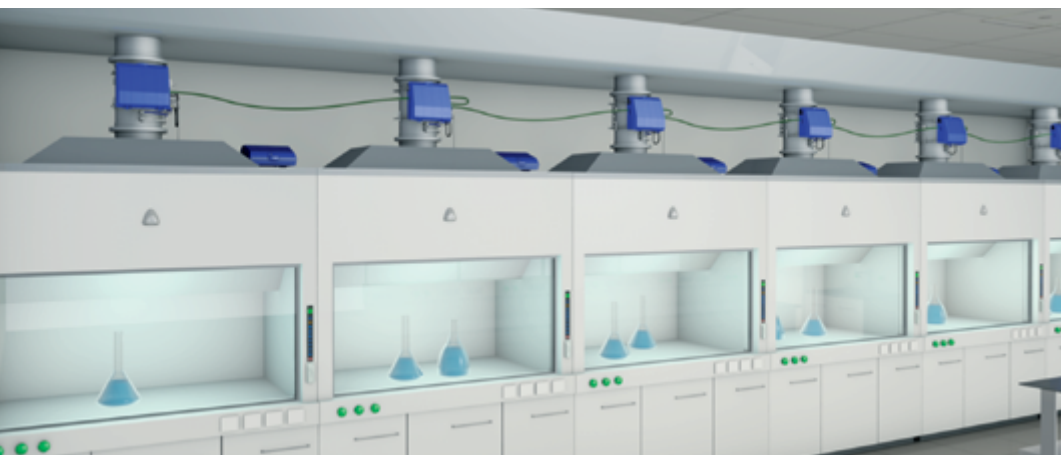
► EASYLAB controller – for the highest demands on control engineering ►►



*For its new Experimental Research Centre, the Max Delbrück Centre for Molecular Medicine in Berlin relies on TROX EASYLAB for laboratory air management and on TROX fire dampers for safety in the event of a fire*

**Advantages at a glance:**

- Reduced installation effort thanks to plug and play communication
- Flexible and easy adaptation to customer requirements due to the modular design
- Virtually maintenance-free as the parameters and hardware are monitored by the diagnostic function
- Easy, interactive commissioning with the TROX EasyConnect software
- Simple integration into building management systems using interfaces with the LonWorks, BACnet or Modbus standards



**Experience real plug and play in an exciting video.**



**You Tube**



*Max Delbrück Centre, Berlin*



*BASF, Shanghai*



*Sabancı University, Istanbul*

**TROX<sup>®</sup> TECHNIK**  
The art of handling air

**TROX GmbH**  
Heinrich-Trox-Platz  
47504 Neukirchen-Vluyn, Germany  
Phone +49 (0) 2845 2020

trox@trox.de  
www.troxtechnik.com