



TYP MODULATING ACTUATORS

FOR VARIABLE VOLUME FLOWS IN AIR CONDITIONING SYSTEMS

Actuators for mechanical self-powered CAV controllers Type EN, RN, or VFC, and for flow adjustment dampers Type VFR

- Setpoint value adjustment
- Supply voltage 24 V AC/DC
- Control input signal: Voltage signal 0 – 10 V DC or 2 – 10 V DC
- Potentiometer or mechanical stops
- Positive lock connection with CAV controller or flow adjustment damper
- Retrofit possible

Application □

Application

- Actuators for variable adjustment
- Variable adjustment of volume flow setpoint values of mechanical self-powered CAV controllers Type EN, RN or VFC
- For moving the damper blades of flow adjustment dampers Type VFR to any position

Description □

Parts and characteristics

- Potentiometer or mechanical stops for setting the volume flow rate setpoints
- Supply voltage 24 V AC/DC
- Overload protection
- Setpoint value signal 0 – 10 V DC or 2 – 10 V DC

INFORMACJE TECHNICZNE

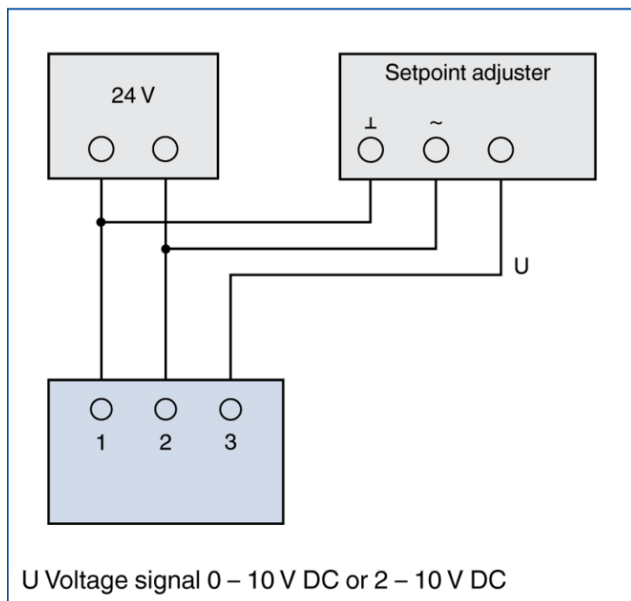
Functional description

The actuator moves the damper blade mechanism to any position between minimum and maximum.

Minimum and maximum positions can be set on potentiometers.

The control input signal is a voltage signal.

Control initiated by a voltage signal



Actuators for volume flow controllers Type RN or EN

Order code detail	Actuator			Auxiliary switch	
	Part number	Model	Supply voltage	Part number	Model
B70	M466DT6	LM24A-SR-F	24 V AC/DC		
B72	M466DT6	LM24A-SR-F	24 V AC/DC	M536AI3	S2A

Actuators for volume flow controllers Type VFC and for flow adjustment dampers Type VFR

Order code detail	Part number	Model	Setpoint setting	Supply voltage
E03	M466EP7	224C-024-02-003	Potentiometer	24 V AC/DC