



TYP AK

FOR LOW-LEAKAGE SHUT-OFF

Circular shut-off dampers for shutting off volume flows in ventilation ducts of air conditioning systems

- Maintenance-free damper blade mechanism
- Closed blade air leakage to EN 1751, class 4
- Casing air leakage to EN 1751, class C

Optional equipment and accessories

- Electric actuator
- Spring return actuator
- Pneumatic actuator
- Auxiliary switch with adjustable switching points for capturing the end positions

Application



Application

- Circular shut-off dampers Type AK for shutting off or restricting the airflow in ventilation ducts of air conditioning systems

Special features

- Damper blade can be actuated manually, electrically or pneumatically
- Low-leakage shut-off
- Safety function provided by optional spring return actuator

Description



Variants

- AK: Shut-off damper
- AK-FL: Shut-off damper with flanges on both ends

Construction

- Galvanised sheet steel
- P1: Powder-coated, silver grey (RAL 7001)
- A2: Stainless steel

Parts and characteristics

- Ready-to-install shut-off damper
- Damper blade with blade mechanism

Attachments

- Min/Max actuators: Actuators for switching between minimum and maximum volume flow rate setpoint values
- Auxiliary switch for capturing the end positions

Accessories

- Lip seals on both ends (factory fitted)
- Matching flanges for both ends

Construction features

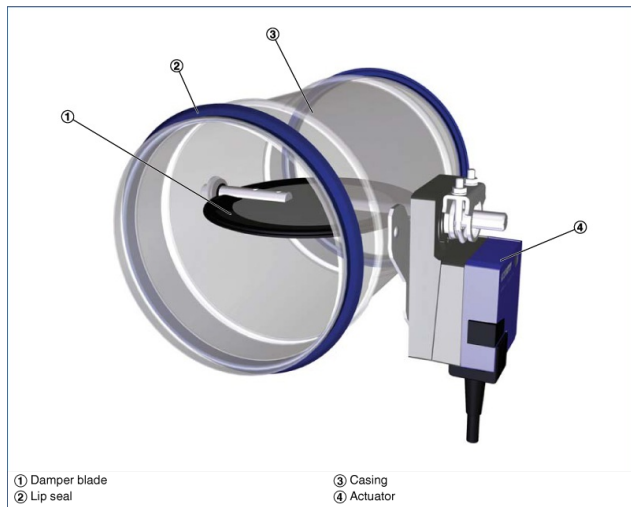
- Circular casing
- Spigot suitable for circular ducts to EN 1506 or EN 13180
- Spigot with groove for lip seal
- Position of the damper blade indicated externally at the shaft extension
- AK-FL: Flanges to EN 12220

Materials and surfaces

- Casing and damper blade made of galvanised sheet steel
- Blade seal made of TPE plastic
- Plain bearings made of polyurethane

INFORMACJE TECHNICZNE

Schematic illustration of the AK



Nominal sizes	100 – 400 mm
Acceptable static differential pressure	1500 Pa
Operating temperature	10 – 50 °C

Quick sizing: Static differential pressure and sound pressure levels with open damper blade

Nominal size	V		Differential pressure	Air-regenerated noise
	l/s	m ³ /h	Δp_{st} Pa	L_{pA} dB(A)
100	10	36	5	<15
	40	144	10	27
	65	234	25	38
	95	342	55	49
125	15	54	5	<15
	60	216	10	24
	105	378	25	36
	150	540	50	45
160	25	90	5	<15
	100	360	10	22
	175	630	20	33
	250	900	45	41
200	40	144	5	<15
	160	576	10	21
	280	1008	20	31
	405	1458	40	39
250	60	216	<5	<15
	250	900	5	19
	430	1548	15	29
	615	2214	30	38
315	100	360	<5	<15
	410	1476	5	21
	720	2592	15	34
	1030	3708	25	43
400	170	612	<5	<15
	670	2412	5	34
	1175	4230	10	50
	1680	6048	15	61

Circular shut-off dampers for shutting off or restricting the airflow in ventilation ducts of air conditioning systems, for supply air or extract air, available in 7 nominal sizes

Suitable for duct pressures up to 1500 Pa.

Ready-to-install unit consists of the casing with a damper blade.

Spigot with groove for lip seal, suitable for connecting ducts according to EN 1506 or EN 13180.

Position of the damper blade indicated externally at the shaft extension.

Closed blade air leakage to EN 1751, class 4 (nominal sizes 100, 125 and 160, class 3).

Casing air leakage to EN 1751, class C.

Special features

- Damper blade can be actuated manually, electrically or pneumatically
- Low-leakage shut-off
- Safety function provided by optional spring return actuator

Materials and surfaces

- Casing and damper blade made of galvanised sheet steel
- Blade seal made of TPE plastic
- Plain bearings made of polyurethane

Construction

- Galvanised sheet steel
- P1: Powder-coated, silver grey (RAL 7001)
- A2: Stainless steel

Technical data

- Nominal sizes: 100 – 400 mm
- Acceptable static differential pressure: 1500 Pa

AK

AK – P1 – FL / 160 / G2 / BP0 / NO

1 2 3 4 5 6 7

1 Type

AK Shut-off damper

2 Material

No entry: galvanised sheet steel

P1 Powder-coated, silver grey (RAL 7001)

A2 Stainless steel

3 Construction

No entry: none

FL Flanges on both ends

4 Nominal size [mm]

100

125

160

200

250

315

400

5 Accessories

No entry: none

D2 Lip seals on both ends

G2 Matching flanges for both ends

6 Actuator

No entry: manual operation

B30 24 V AC/DC supply voltage

B32 24 V AC/DC supply voltage,

with auxiliary switch

B40 230 V AC supply voltage

B42 230 V AC supply voltage,

with auxiliary switch

BP0 24 V AC/DC supply voltage,

spring return actuator

BP2 24 V AC/DC supply voltage,

spring return actuator, with auxiliary switch

BR0 230 V AC supply voltage,

spring return actuator

BR2 230 V AC supply voltage,

spring return actuator, with auxiliary switch

TN0 Pneumatic actuator 0.2 – 1 bar

7 Damper blade position

Only for spring return actuators and pneumatic actuators

NO Power off/Pressure off to open

NC Power off/Pressure off to close